

GENERAL NOTES

- CONTRACTOR SHALL NOTIFY UNDERGROUND SERVICE ALERT OF SOUTHERN CALIFORNIA AT PHONE NUMBER 811 AT LEAST 48 WORKING HOURS PRIOR TO BREAKING GROUND.
- CONTRACTOR SHALL NOTIFY LBWD INSPECTION AT 570-2322 OR 570-2321 48-HOURS PRIOR TO START OF CONSTRUCTION.
- CONTRACTOR SHALL VERIFY EACH POINT OF CONNECTION IN THE FIELD, INCLUDING PIPE MATERIAL AND DEPTH.
- WATER SERVICE DEPTH SHALL HAVE COVER BETWEEN 36 AND 45 INCHES. IF EXISTING MAIN IS DEEPER THAN 45 INCHES, THE TRANSITION SHALL BE ACCOMPLISHED WITH A FLANGED 45° BEND CONNECTED TO THE TAPPING VALVE.
- ALL BURIED FITTINGS AT FLANGED CONNECTIONS, VALVES, COUPLINGS, STAINLESS STEEL BOLTS AND APPURTENANCES SHALL BE COATED WITH NO-OX-ID 'A-SPECIAL' GREASE COMPOUND AND WRAPPED WITH NO-OX-ID PROTECTIVE WRAP. THE ENTIRE ASSEMBLY SHALL BE ENCASED WITH 8-MIL POLYETHYLENE WRAP AND SECURED WITH 10-MIL PIPE WRAP TAPE.
- THRUST RESTRAINING GASKETS SHALL BE USED IN ALL PUSH-ON JOINTS. THRUST BLOCKS SHALL BE INSTALLED AT ALL BURIED VERTICAL AND HORIZONTAL BENDS PER WDS-107. CONCRETE SHALL BE PER SSPWC 560-C-3250; REBAR SHALL BE EPOXY COATED. PLACE THRUST BLOCKS AGAINST UNDISTURBED SOIL.
- HYDROSTATIC TEST SHALL BE PERFORMED AT 150 PSI FOR A DURATION OF NO LESS THAN 2 HOURS. HYDROSTATIC AND BACTERIOLOGICAL TESTS SHALL BE COMPLETED AND ACCEPTED PRIOR TO CONSTRUCTING SYSTEM TIE-INS.
- AN EASEMENT SHALL BE DEDICATED TO THE L.B.W.D. TO PERMIT MAINTENANCE OF THE DEVICE. THE EASEMENT SHALL BE 10 FEET WIDE AND 5 FEET BEYOND THE SPOOL PIECE (MINIMUM).
- ALL CONSTRUCTION SHALL BE PER THIS APPROVED CONSTRUCTION DRAWING AND APPROVED MATERIALS LIST.
- CONTRACTOR SHALL HAVE A COPY OF APPROVED DESIGN PLAN AND MATERIALS SUBMITTALS ON SITE AT ALL TIMES. FAILURE TO COMPLY SHALL RESULT IN LBWD INSPECTORS STOPPING ALL WORK AT THE CONTRACTOR'S EXPENSE.
- CONTRACTOR SHALL RECORD DATA ON VALVE INFORMATION TABLE, ALL FIELD CHANGES, AND PROVIDE 'AS-BUILT' DRAWING TO THE SATISFACTION OF LBWD PRIOR TO PROJECT CLOSE-OUT.
- NON-POTABLE PIPELINE CROSSINGS SHALL BE INSTALLED IN ACCORDANCE WITH LBWD STD. WDS-405.

CONSTRUCTION NOTES

- TAP EXIST. X" {MAT} PIPE WITH X" X X" LONG-BODY STAINLESS STEEL TAPPING SLEEVE (FIELD VERIFY POINT OF CONNECTION.)
- INSTALL THRUST BLOCK PER WDS-107.
- INSTALL X" FLG. VALVE NO. ___-WVA-___.
- INSTALL GATE BOX TO GRADE PER WDS-115, WDS-116, & WDS-119.
- INSTALL X" FLG. X P.O. CONNECTING PIECE.
- INSTALL X" P.O. DIP (CLASS 52); TRENCH & BACKFILL PER WDS-406. INSTALL TEMPORARY STEEL PLATES PER WDS-128.
- INSTALL X" X 90° FLG. BEND
- INSTALL THRUST BLOCK PER WDS-107 WITH #4 STEEL REBARS (SEE GENERAL NOTE 6 HEREON).
- INSTALL X" FABRICATED DIP SPOOL (CLASS 53)
- INSTALL A FLANGE INSULATING KIT PER WDS-006.1 SHEET 2.
- INSTALL A X" FLGD. CEMENT LINED & EPOXY-COATED STEEL SPOOL PER WDS-006.1 SHEET 2.
- INSTALL A PREFABRICATED 2" THREADED OUTLET FOR STEEL PIPE, 2" LOCKING BRASS BALL VALVE, AND A 2" PIPE PLUG PER WDS-006.1.
- SET X" {AMES 3000SS OR FEBCO LF876V} DOUBLE CHECK DETECTOR ASSEMBLY. PROVIDE CHAINS FOR LOCKING HAND WHEELS.
- INSTALL 24" OF CLASS 53 DIP. CUSTOMER TO CONNECT AT END.
- INSTALL METER SUPPORT SLAB PER WDS-010.
- INSTALL PIPE STANDS PER WDS-008.
- TEMPORARY SPOOL REQUIRED ONLY DURING HYDROSTATIC TESTING.

AS-BUILT DRAWING SUBMISSION

I CERTIFY THAT THE INFORMATION PROVIDED HEREON REFLECTS ALL FIELD CHANGES, AS-BUILT CONDITIONS, AND THAT THE VALVE INFORMATION TABLE IS PROPERLY FILLED OUT.

NAME _____ DATE _____

OWNER REVIEW

NAME _____ DATE _____

APPROVED:

FIRE LIFE SAFETY PLAN CHECK NO. _____ DATE _____

VALVE INFORMATION TABLE

| NEW VALVE | SIZE (IN.) | MAKE (MFG.) | STEM DEPTH | NO. OF TURNS | PIPE COVER | NORTH - SOUTH STREET | DIST. FROM PROP. LINE | DIST. FROM CURB | EAST - WEST STREET | DIST. FROM PROP. LINE | DIST. FROM CURB | DRAWING/FILE NO. REMARKS |
|-------------|------------|-------------|------------|--------------|------------|----------------------|-----------------------|-----------------|--------------------|-----------------------|-----------------|--------------------------|
| ___-WVA-___ | X | | | | | XXXXXX AVENUE | | | E. XXXXX ST. | | | EO-XXXX, FL |

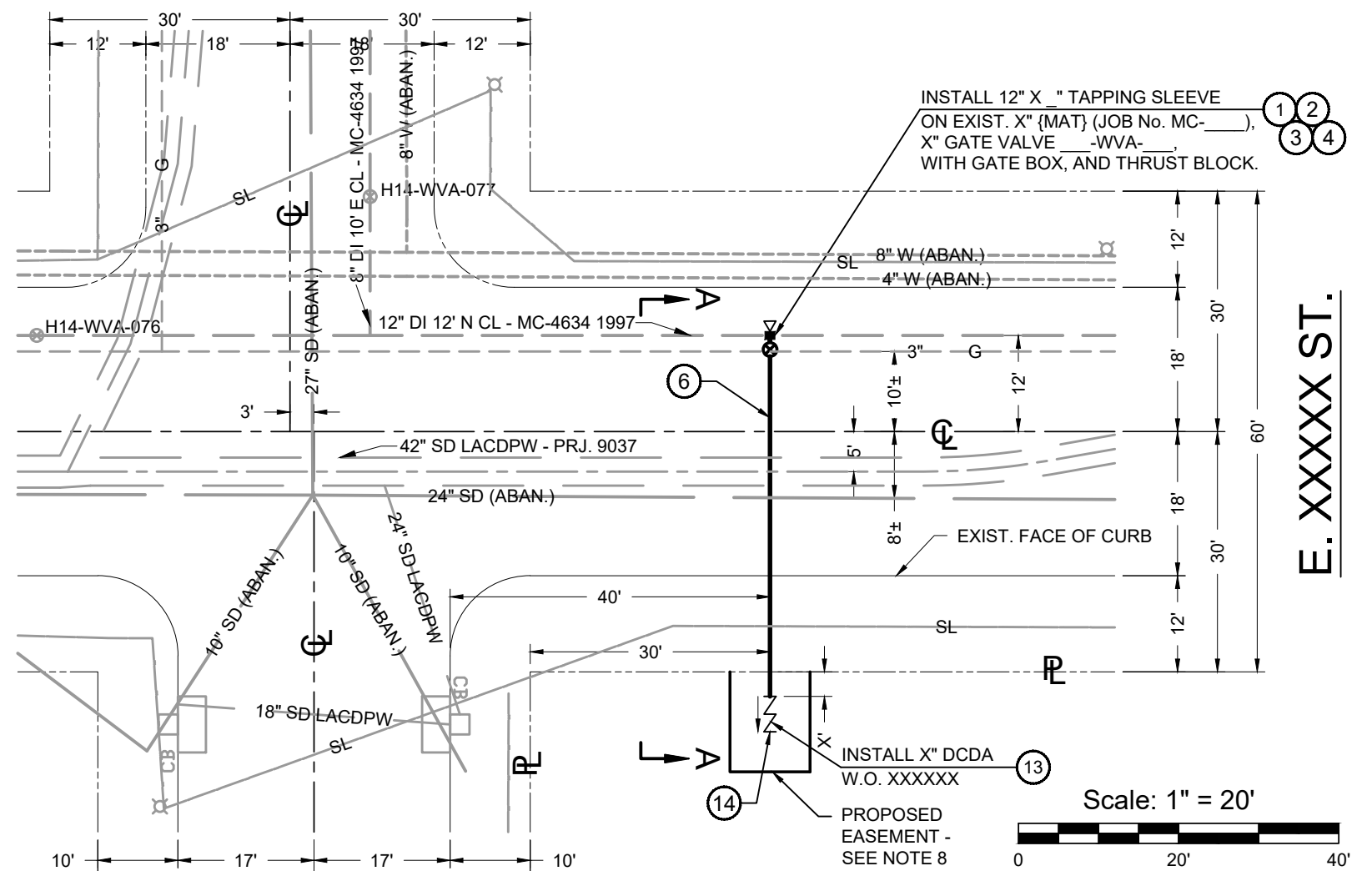
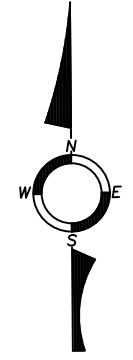
DESIGNED BY: NAME - DATE DRAWN BY: NAME - DATE CHECKED BY: NAME DATE RECORD DWG BY: _____

LONG BEACH WATER DEPARTMENT
CHRISTOPHER J. GARNER
GENERAL MANAGER

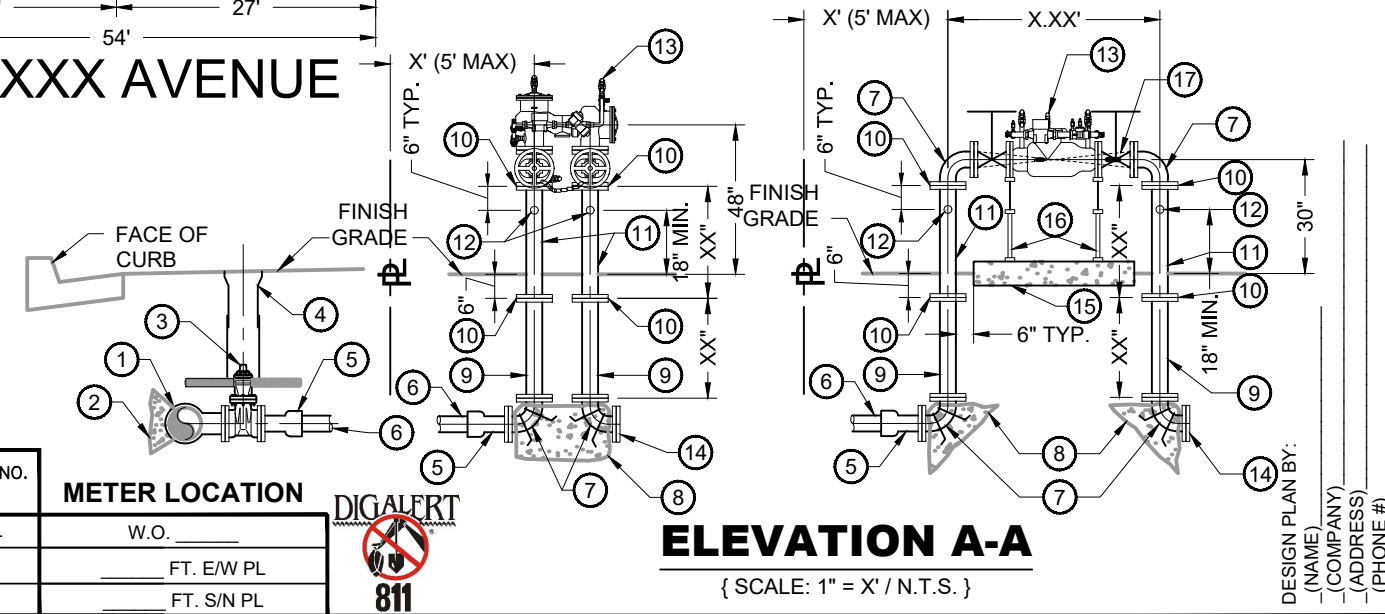


X-INCH FIRELINE SERVICE
(BUSINESS NAME)
E. XXXXXX STREET

FILE: **EO-XXXX**
PROJECT: **XXX###**
SHEET 1 OF 1 SHEET



XXXXXX AVENUE



ELEVATION A-A
{ SCALE: 1" = X' / N.T.S. }

E. XXXXX ST.

H:\DEVELOP\CUSERV\FIRELINE\Misc.dwg_Sample Dwg.dwg, 4/3/2019 8:51:44 AM, AutoCAD PDF (General Documentation).pc3