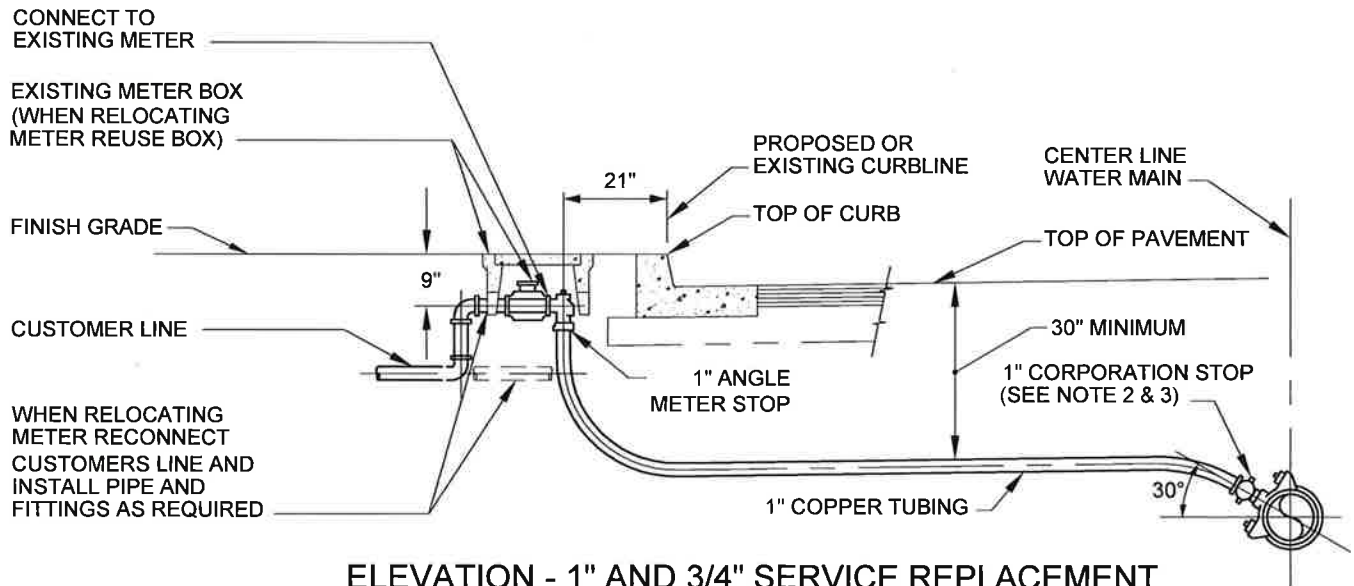


ELEVATION - 2" AND 1 1/2" SERVICE REPLACEMENT



ELEVATION - 1" AND 3/4" SERVICE REPLACEMENT

SERVICE SYMBOL DESIGNATION:
 ® 2"CL OR ® 1"CL

NOTES:

- SERVICE FITTINGS AND STOPS USED WITH COPPER TUBING SHALL BE "COMPRESSION" TYPE.
- FOR 1 INCH TAPS TO WATER MAINS LARGER THAN 2 INCH, USE PIPE SIZE X 1 INCH SERVICE SADDLE IN ADDITION TO THE CORPORATION STOP.
- FOR 1 INCH OUTLETS TO 2 INCH COPPER TUBING, USE 2 X 2 X 1 INCH TEE IN ADDITION TO THE CORPORATION STOP.
- SWAGED-AND-SOLDERED JOINTS ARE PERMITTED ONLY WHEN SERVICE LATERAL IS INSERTED THROUGH A BORED HOLE AND APPROVED BY ENGINEER AND/OR INSPECTOR PRIOR TO INSTALLATION.

3/4, 1, 1 1/2, AND 2 INCH SERVICE REPLACEMENT

WDS - 003



LONG BEACH
 WATER DEPARTMENT

RECOMMEND

Robert J. [Signature]

DIVISION ENGINEER

APPROVED

[Signature]

DIRECTOR OF ENGINEERING

DATE: 11/11/14

SCALE: N.T.S.

SHEET 1 OF 1