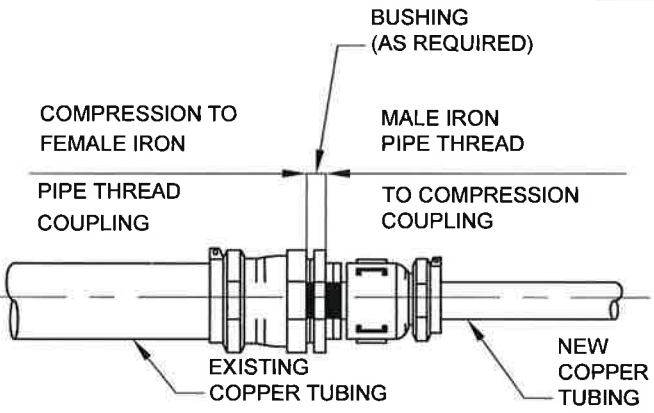
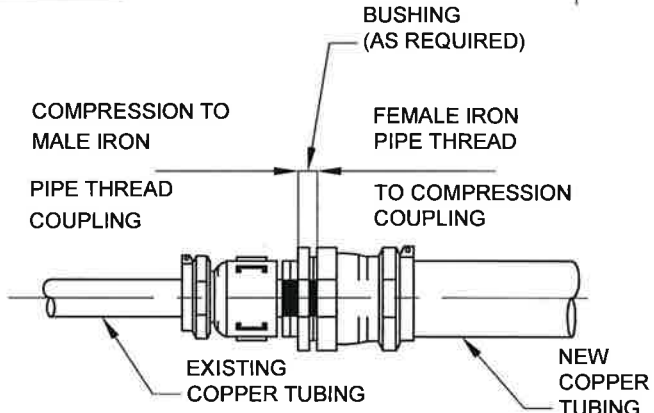


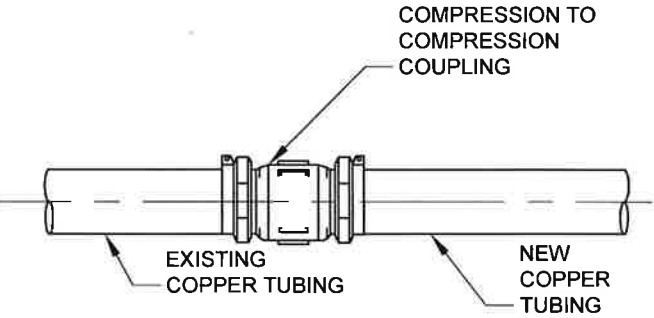
ELEVATION



DETAIL - B



DETAIL - C



DETAIL - A

CONNECTION SCHEDULE		
EXISTING COPPER TUBING (INCHES)	NEW COPPER TUBING (INCHES)	SEE DETAIL
3/4	1	C
1	1	A
1 1/4	1	B
1 1/2	2	C
2	2	A

SERVICE SYMBOL DESIGNATION: ©

NOTES:

- SERVICE FITTINGS AND STOPS USED WITH COPPER TUBING SHALL BE "COMPRESSION" TYPE.
- FOR 1 INCH TAPS TO WATER MAINS LARGER THAN 2 INCH, USE PIPE SIZE X 1 INCH SERVICE SADDLE IN ADDITION TO THE CORPORATION STOP.
- FOR 1 INCH OUTLETS TO 2 INCH COPPER TUBING, USE 2 X 2 X 1 INCH TEE IN ADDITION TO THE CORPORATION STOP.
- FOR 1 1/2 X 2 INCH TAPS TO WATER MAINS LARGER THAN 4 INCH, USE PIPE SIZE X 1 1/2 INCH SERVICE SADDLE IN ADDITION TO THE CORPORATION STOP.

SERVICE RECONNECTIONS

WDS - 004



**LONG BEACH
WATER DEPARTMENT**

RECOMMEND
Robert J. [Signature]
DIVISION ENGINEER

APPROVED
[Signature]
DIRECTOR OF ENGINEERING

DATE: 11/11/14

SCALE: N.T.S.

SHEET 1 OF 1