

FIRE SERVICE ELEVATION DETAIL

NOTES:

1. THIS STANDARD IS INTENDED FOR REFERENCE PURPOSES, AND IS NOT INTENDED FOR CONSTRUCTION. CONTRACTOR SHALL SUBMIT A DETAILED CONSTRUCTION DRAWING FOR APPROVAL TO LBWD. CONTACT LBWD FOR FURTHER REQUIREMENTS.
2. COAT ALL FITTINGS, VALVES, BOLTED COUPLINGS, AND STEEL PIPE IN CONTACT WITH SOIL IN ACCORDANCE WITH LBWD STANDARDS. COAT BACKFLOW DEVICE AND ABOVE-GROUND FITTINGS AS DESCRIBED IN THE APPROVED MATERIAL SUBMITTAL.
3. THE DOUBLE CHECK DETECTOR ASSEMBLY SHALL EITHER BE AMES MODEL 3000SS OR FEBCO MODEL 876VST.
4. THE LOCATION OF THE FIRE SERVICE SHALL BE IN ACCORDANCE WITH THE CONSTRUCTION DRAWING APPROVED BY LBWD.
5. CONTRACTOR SHALL COORDINATE HYDROSTATIC TESTING, CHLORINATION, AND BAC-T SAMPLE TESTING WITH LBWD.
6. REMOVE BLIND PLATE AND CONNECT CUSTOMER SIDE AFTER CLEARANCE IS OBTAINED FROM LBWD.
7. AN EASEMENT SHALL BE GRANTED TO THE LBWD FOR OPERATIONS AND MAINTENANCE PURPOSES.

4", 6", 8" & 10" FIRE SERVICE INSTALLATION

WDS - 006.1



**LONG BEACH
WATER DEPARTMENT**

RECOMMEND

Robert J. [Signature]

DIVISION ENGINEER

APPROVED

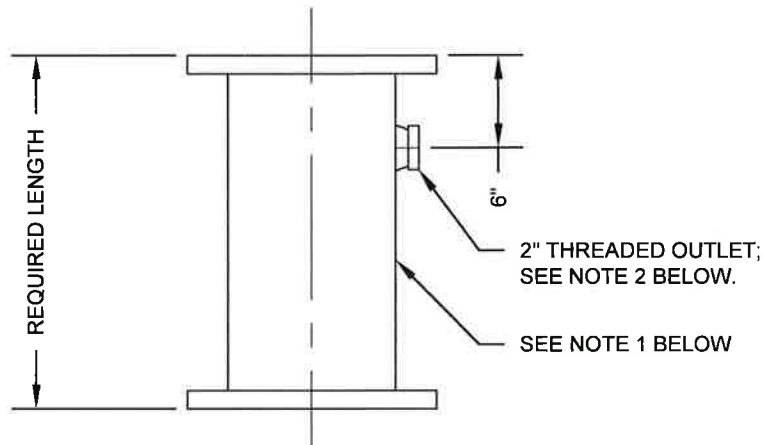
[Signature]

DIRECTOR OF ENGINEERING

DATE: 06/24/2015

SCALE: N.T.S.

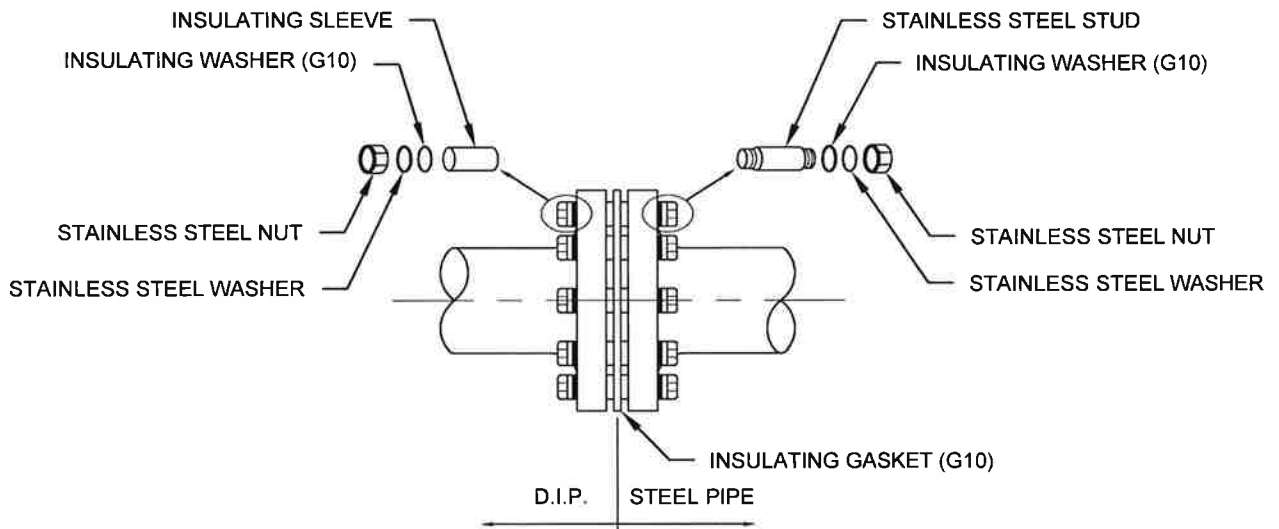
SHEET 1 OF 3



DETAIL 'A' - PREFABRICATED STEEL SPOOL

NOTE:

1. STEEL SPOOL SHALL BE CEMENT MORTAR LINED PER AWWA C205
2. SPOOL SHALL BE PREFABRICATED WITH A 2" THREADED OUTLET.
3. INSTALL 2" LOCKING BALL VALVE WITH BRASS CAP IN THREADED OUTLET.
4. STEEL SPOOL SHALL HAVE AN EPOXY COATING WITH A DRY FILM THICKNESS BETWEEN 10 AND 16 MILS. COATING SHALL BE FACTORY- OR SHOP-APPLIED.
5. SPOOL, BALL VALVE, AND COATING SHALL BE AS DESCRIBED IN THE APPROVED MATERIAL SUBMITTAL.



DETAIL 'B' - FLANGE INSULATING KIT

NOTE:

1. HARDWARE QUANTITIES IN FLANGE INSULATING KIT WILL VARY BASED ON GASKET PATTERN AND PIPE SIZE.
2. ALL HARDWARE SHALL BE T-316 STAINLESS STEEL.

4", 6", 8" & 10" FIRE SERVICE INSTALLATION

WDS - 006.1



**LONG BEACH
WATER DEPARTMENT**

RECOMMEND

Robert J. [Signature]

DIVISION ENGINEER

APPROVED

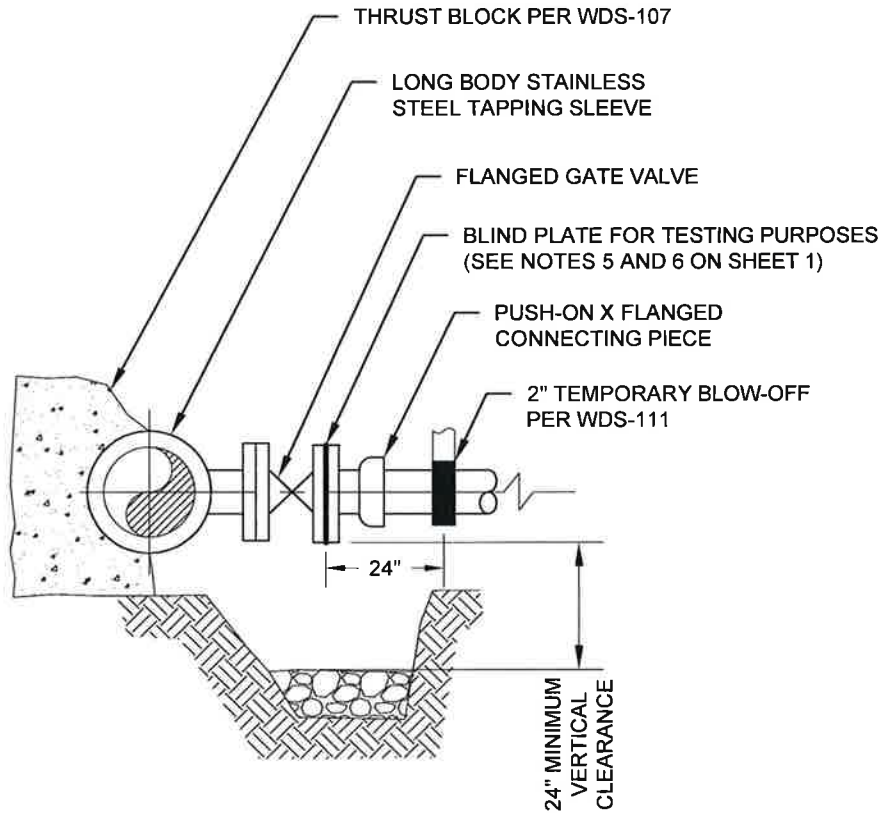
[Signature]

DIRECTOR OF ENGINEERING

DATE: __/__/2015

SCALE: N.T.S.

SHEET 2 OF 3



DETAIL 'C' - CONNECTION DETAIL

NOTE:

1. INSPECTORS TO BE PRESENT DURING REMOVAL OF BLIND PLATE.
2. IF WATER RISES TO FLANGE DURING REMOVAL OF TEMPORARY BLIND PLATE, CONTRACTOR SHALL BE REQUIRED TO RE-SAMPLE BAC-T'S DUE TO POTENTIAL RE-CONTAMINATION.

4", 6", 8" & 10" FIRE SERVICE INSTALLATION

WDS - 006.1



**LONG BEACH
WATER DEPARTMENT**

RECOMMEND

Robert J. ...

DIVISION ENGINEER

APPROVED

[Signature]

DIRECTOR OF ENGINEERING

DATE: __/__/2015

SCALE: N.T.S.

SHEET 3 OF 3