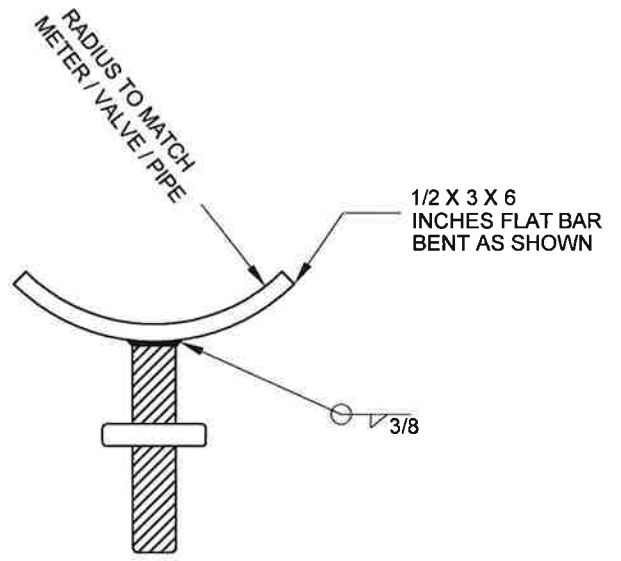


**METER / VALVE / PIPE SUPPORT**

**NOTE**

- 1. ANCHOR SUPPORT TO CONCRETE PAD WITH 4 HILTI KWIK BOLT TZ 304 SS EXPANSION ANCHOR 3/8 INCH DIAMETER X 5 INCH LENGTH, 3 INCH MIN. EMBEDMENT



**DETAIL**

<b>METER / VALVE / PIPE SUPPORT</b>		<b>WDS - 008</b>	
 <p><b>LONG BEACH WATER DEPARTMENT</b></p>	<p>RECOMMEND</p>  <p>DIVISION ENGINEER</p>	<p>APPROVED</p>  <p>DIRECTOR OF ENGINEERING</p>	
	DATE: 06/24/2015	SCALE: N.T.S.	SHEET 1 OF 1