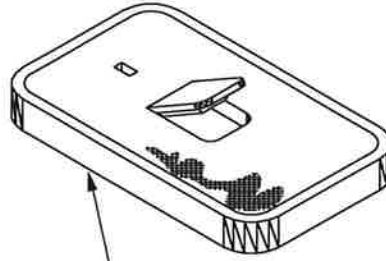
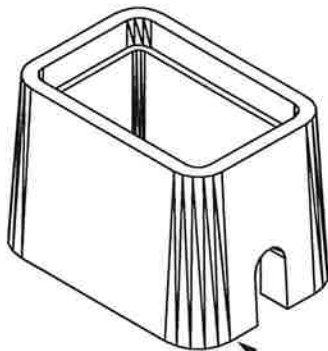


17"x28"x12" ARMORCAST
POLYMER CONCRETE
METER BOX #A6001419

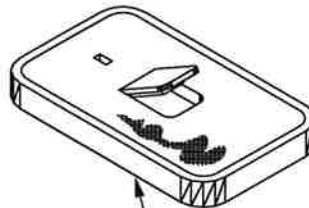


17"x28" ARMORCAST
POLYMER CONCRETE METER
COVER #A6001420TR

PLAN-METER BOX - 2" AND 1-1/2" SERVICE



10"x15"x12" ARMORCAST
POLYMER CONCRETE
METER BOX #A6001921X12



10"x15" ARMORCAST
POLYMER CONCRETE
METER COVER #A6001922R

PLAN-METER BOX - 1" AND 3/4" SERVICE

METER BOXES

WDS - 009



LONG BEACH
WATER DEPARTMENT

RECOMMEND

DIVISION ENGINEER

APPROVED

DIRECTOR OF ENGINEERING

DATE: 11/26/2014

SCALE: N.T.S.

SHEET 1 OF 1