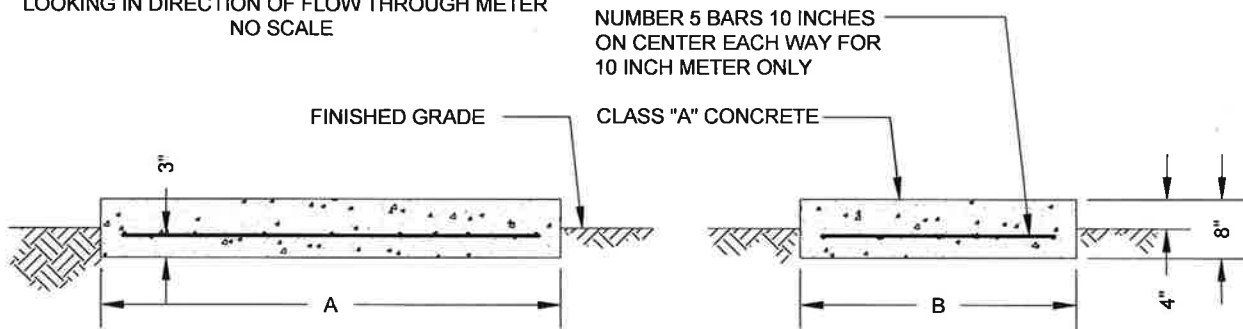


END VIEW

LOOKING IN DIRECTION OF FLOW THROUGH METER
NO SCALE



METER SUPPORT SLAB

NO SCALE

METER SIZE (INCHES)	METER SUPPORT SLAB DIMENSIONS (INCHES)					
	COMPOUND TORRENT		FIRE METER			
	A	B	A	B	C	D
4	45	33	49	47	8	24
6	66	35	61	51	9	25
8	85	52	69	60	11	30
10			84	72	14	36

METER SUPPORT SLAB

WDS-010



**LONG BEACH
WATER DEPARTMENT**

RECOMMEND

Robert J. [Signature]

DIVISION ENGINEER

APPROVED

[Signature]

DIRECTOR OF ENGINEERING

DATE: 09/30/14

SCALE: N.T.S.

SHEET 1 OF 1