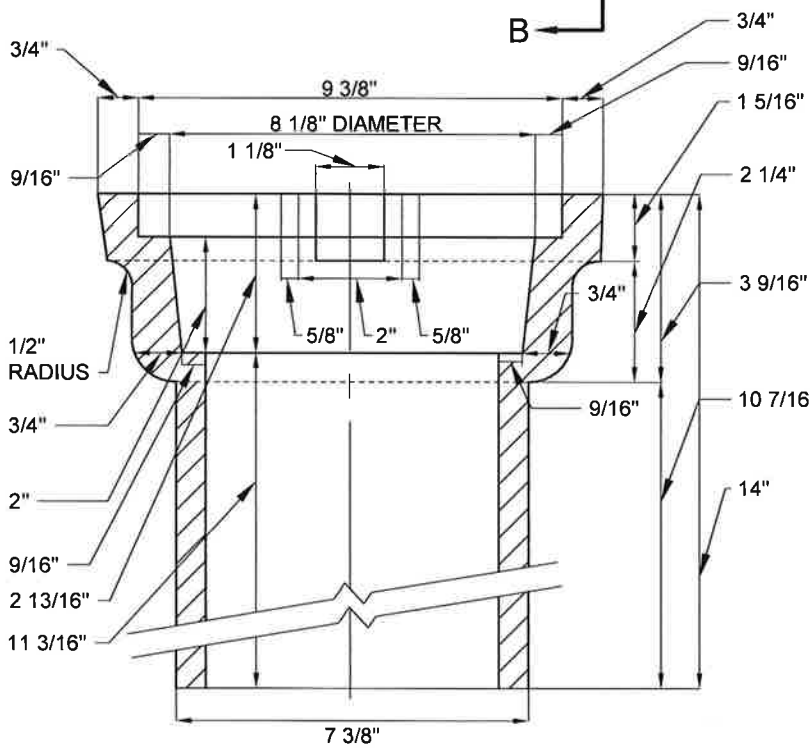
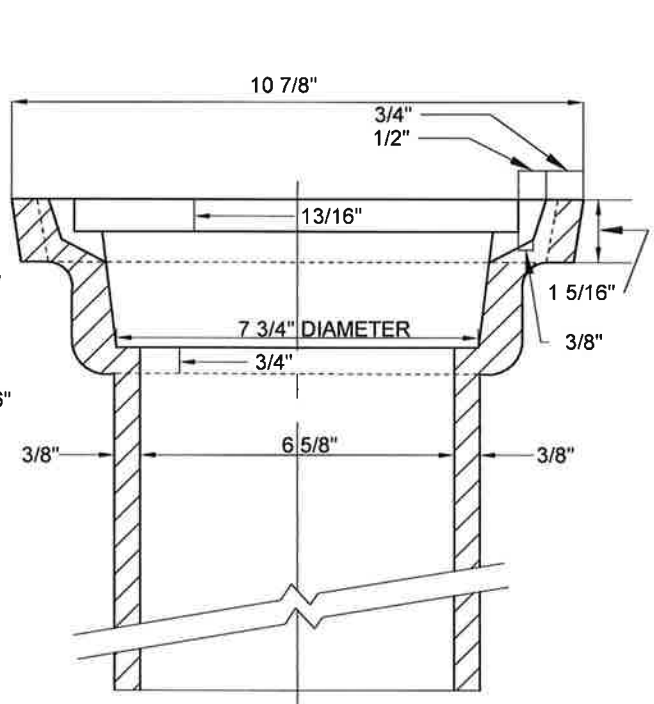


PLAN VIEW



SECTION A-A



SECTION B-B

NOTE:

1. LONG BEACH STANDARD HEAVY 8 INCH CAST IRON GATE BOX LID TO BE USED WITH THE GATE BOX (SEE WDS-116).
2. VALVE BOX CONSTRUCTION REQUIRES THE ORIENTATION OF THE VALVE LID EARS TO RUN IN-LINE WITH THE DIRECTION OF THE WATER MAIN OR LATERAL.

ADJUSTABLE GATE BOX - 8 - INCH

WDS -115



LONG BEACH
WATER DEPARTMENT

RECOMMEND

Robert J. [Signature]

DIVISION ENGINEER

APPROVED

[Signature]

DIRECTOR OF ENGINEERING

DATE: 11/11/14

SCALE: N.T.S.

SHEET 1 OF 1