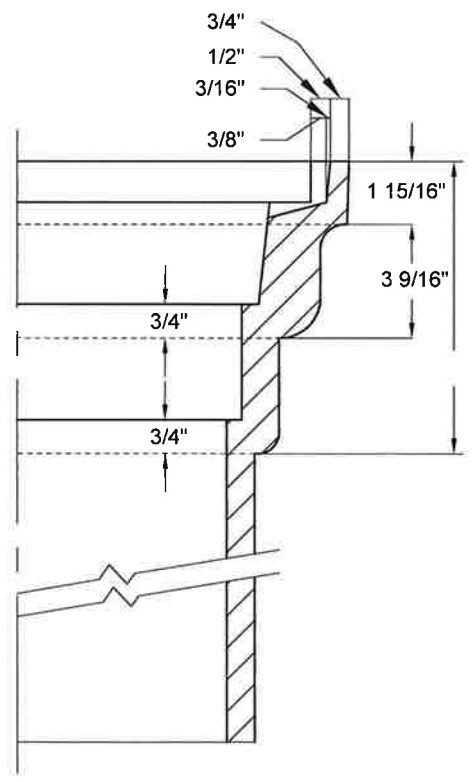


SECTION A-A



SECTION B-B

NOTE:

1. LONG BEACH STANDARD HEAVY 12 INCH CAST IRON GATE BOX LID TO BE USED WITH THE GATE BOX (SEE WDS-118)

ADJUSTABLE GATE BOX-12-INCH

WDS -117



LONG BEACH
WATER DEPARTMENT

RECOMMEND
Robert J. [Signature]
DIVISION ENGINEER

APPROVED
[Signature]
DIRECTOR OF ENGINEERING

DATE: 11/11/14

SCALE: N.T.S.

SHEET 1 OF 1