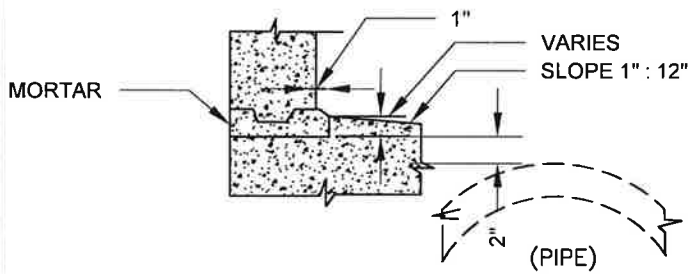
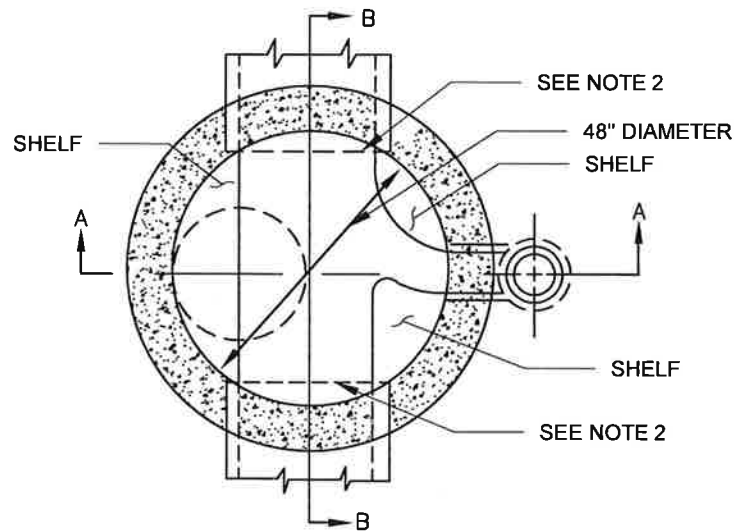


SECTION A-A

SECTION B-B



DETAIL A



PLAN SECTION C-C

NOTES:

1. JOINT SHALL BE TYPE "G" PER SECTION 306-1.2.3 OF THE STANDARD SPECIFICATIONS.
2. FOR 24 INCH PIPE AND LARGER, THE TOP HALF OF THE PIPE SHALL BE REMOVED TO THE CONTOUR OF THE INSIDE OF THE MANHOLE AND THE BROKEN EDGES PLASTERED SMOOTH WITH CEMENT MORTAR.
3. ALL MORTAR SHALL BE CLASS "B".
4. THE PCC COLLAR SHALL BE 1 1/2 INCHES FROM FINISH GRADE AND 3 INCHES BELOW THE RING AND CONE JOINT. THE MIX DESIGN SHALL BE 560-C-3250.

DROP MANHOLE

WDS - 503



**LONG BEACH
WATER DEPARTMENT**

RECOMMEND

Robert J. [Signature]

DIVISION ENGINEER

APPROVED

[Signature]

DIRECTOR OF ENGINEERING

DATE: 07/29/15

SCALE: N.T.S.

SHEET 1 OF 1