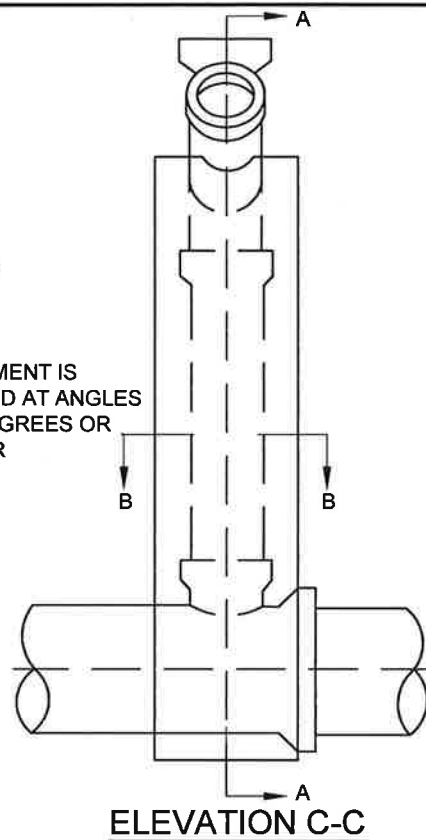


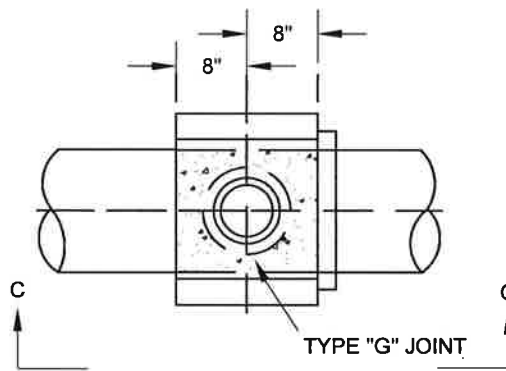
D1 = 6 INCHES OR GREATER

D2 = D1 PLUS 2 INCHES OR GREATER

**SECTION A-A**



**ELEVATION C-C**



**SECTION B-B**

**NOTES:**

1. THE UPPER END OF THE CHIMNEY WYE SHALL BE 9 FEET BELOW ELEVATION OF THE GUTTER UNLESS OTHERWISE SPECIFIED ON PROJECT PLANS.
2. UNDER NO CIRCUMSTANCES SHALL TWO (2) OR MORE CONNECTING SEWERS BE CONSTRUCTED AT THE SAME CHIMNEY.
3. WHEN THE ANGLE OF THE CHIMNEY IS BETWEEN 67 1/2 DEGREES AND 90 DEGREES WITH THE HORIZONTAL, THE WYE SHALL FACE THE PROPERTY TO BE SERVED. THE HOUSE CONNECTING SEWER SHALL EXTEND INTO THE WYE'S SPUR.
4. WHEN THE ANGLE OF THE CHIMNEY IS LESS THAN 67 1/2 DEGREES WITH THE HORIZONTAL, THE WYE SHALL FACE AWAY FROM THE PROPERTY TO BE SERVED. THE HOUSE CONNECTING SEWER SHALL EXTEND INTO THE WYE'S BARREL.

**CHIMNEY**

**WDS - 507**



**LONG BEACH  
WATER DEPARTMENT**

RECOMMEND

*Robert J. ...*

DIVISION ENGINEER

APPROVED

*[Signature]*

DIRECTOR OF ENGINEERING

DATE: 07/29/15

SCALE: N.T.S.

SHEET 1 OF 1