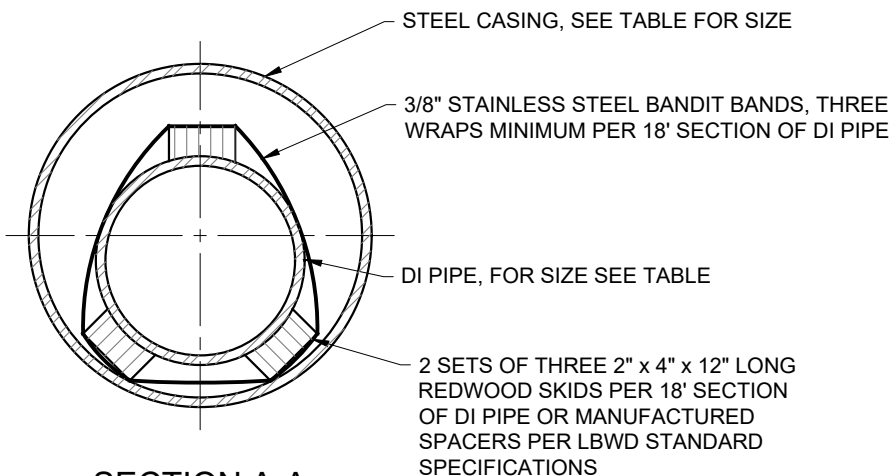


ELEVATION



SECTION A-A

DI PIPE SIZE (INCHES)	OUTSIDE DIAMETER OF CASING (INCHES)
4	10-3/4
6	12-3/4
8	16
12	20

NOTES:

1. FOR CASING LONGER THAN 100' AND PIPE SIZES 8" AND LARGER, LUBRICATE BOTTOM OF CASING WITH LOW GRADE GREASE.
2. ENCASE DI PIPE WITH TWO LAYERS OF 8-MIL POLYETHYLENE WRAP PRIOR TO ATTACHING SKIDS.
3. THIS DETAIL IS APPLICABLE ONLY FOR OPEN TRENCH CONSTRUCTION OF CASING.
4. COAT CASING PER SECTION 09 90 00 OF LBWD STANDARD SPECIFICATIONS.

WATER MAIN ENCASEMENT - DUCTILE IRON CARRIER

WDS - 106



Long Beach Water
Exceptional Water • Exceptional Service

RECOMMENDED

Robert Johnson

DIRECTOR OF ENGINEERING

APPROVED

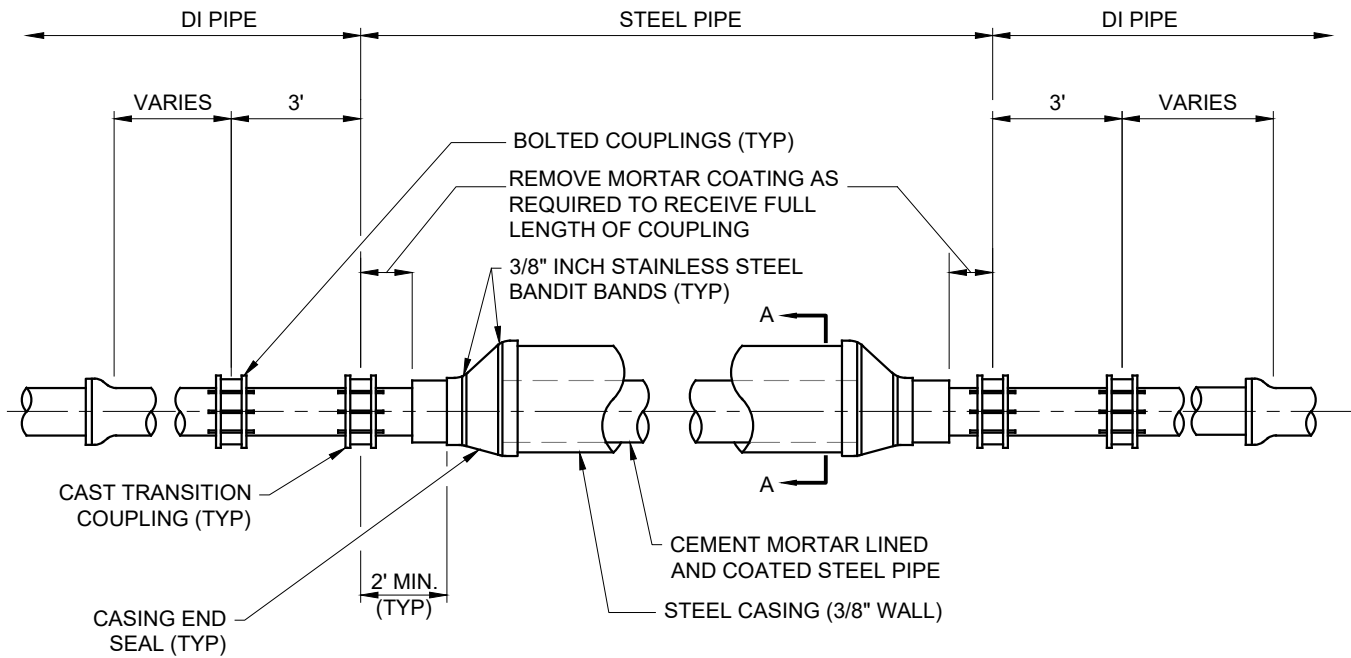
Debra Paul

DEPUTY GENERAL MANAGER / CHIEF ENGINEER

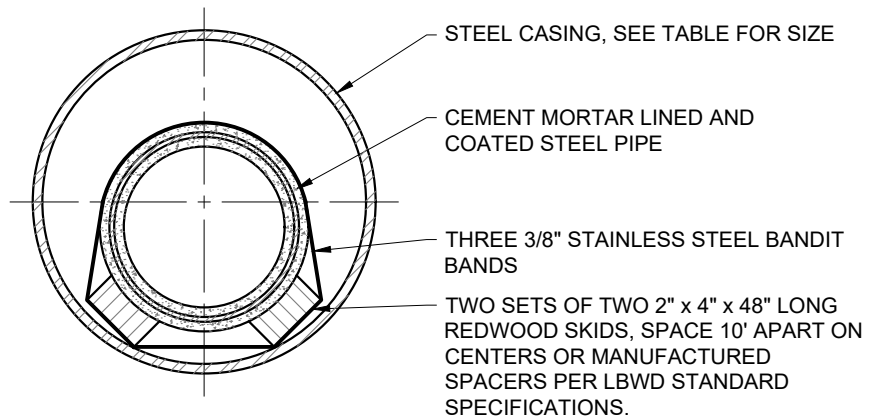
DATE: 02-2020

SCALE: N.T.S.

SHEET 1 OF 2



ELEVATION



SECTION A-A

STEEL PIPE SIZE (INCHES)	OUTSIDE DIAMETER OF CASING (INCHES)
6	12-3/4
8	16
12	20

NOTES:

1. COAT ALL FITTINGS, VALVES AND BOLTED COUPLINGS WITH NO-OX-ID A SPECIAL COMPOUND AND ENCASE IN TWO LAYERS OF POLYETHYLENE WRAP.
2. LUBRICATE BOTTOM OF CASING WITH LOW GRADE GREASE.
3. THIS DETAIL IS APPLICABLE ONLY FOR OPEN TRENCH CONSTRUCTION OF CASING.
4. COAT CASING PER SECTION 09 90 00 OF LBWD STANDARD SPECIFICATIONS.

WATER MAIN ENCASEMENT - STEEL CARRIER

WDS - 106



Long Beach Water
Exceptional Water • Exceptional Service

RECOMMENDED

Robert Johnson

DIRECTOR OF ENGINEERING

APPROVED

Shirley Paul

DEPUTY GENERAL MANAGER / CHIEF ENGINEER

DATE: 02-2020

SCALE: N.T.S.

SHEET 2 OF 2