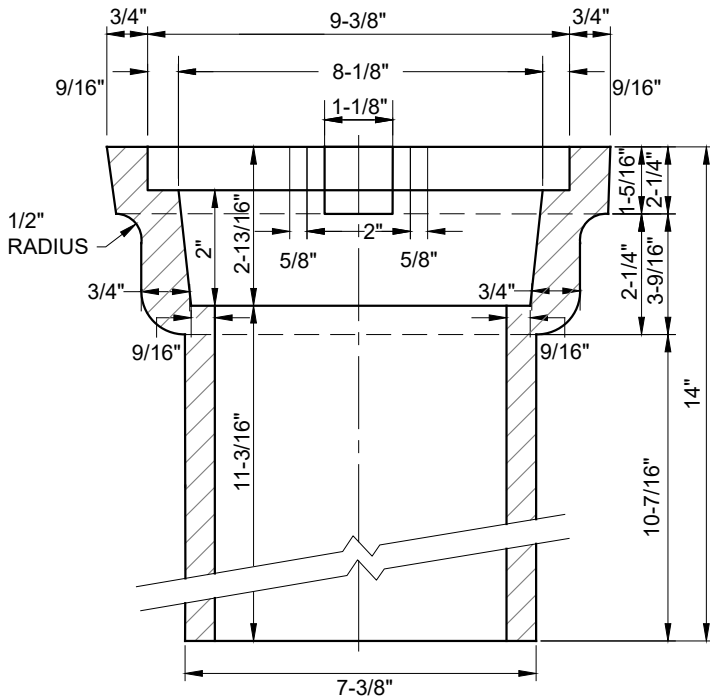
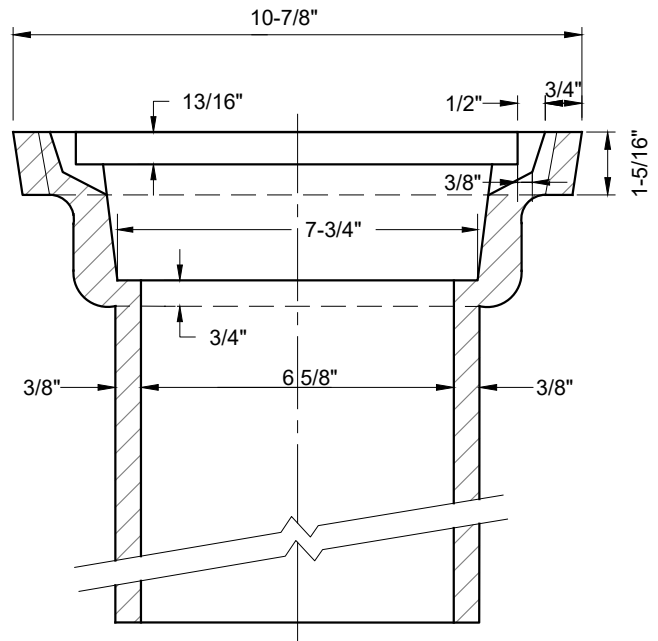


PLAN VIEW



SECTION A-A



SECTION B-B

NOTES:

1. LONG BEACH STANDARD HEAVY 8" CAST IRON GATE BOX LID TO BE USED WITH THE GATE BOX (SEE WDS-116).
2. VALVE BOX CONSTRUCTION REQUIRES THE ORIENTATION OF THE VALVE LID EARS TO RUN IN-LINE WITH THE DIRECTION OF THE WATER MAIN OR LATERAL.

ADJUSTABLE GATE BOX - 8-INCH

WDS - 115



Long Beach Water
Exceptional Water • Exceptional Service

RECOMMENDED

Robert Johnson

DIRECTOR OF ENGINEERING

APPROVED

Debra Paul

DEPUTY GENERAL MANAGER / CHIEF ENGINEER

DATE: 02-2020

SCALE: N.T.S.

SHEET 1 OF 1