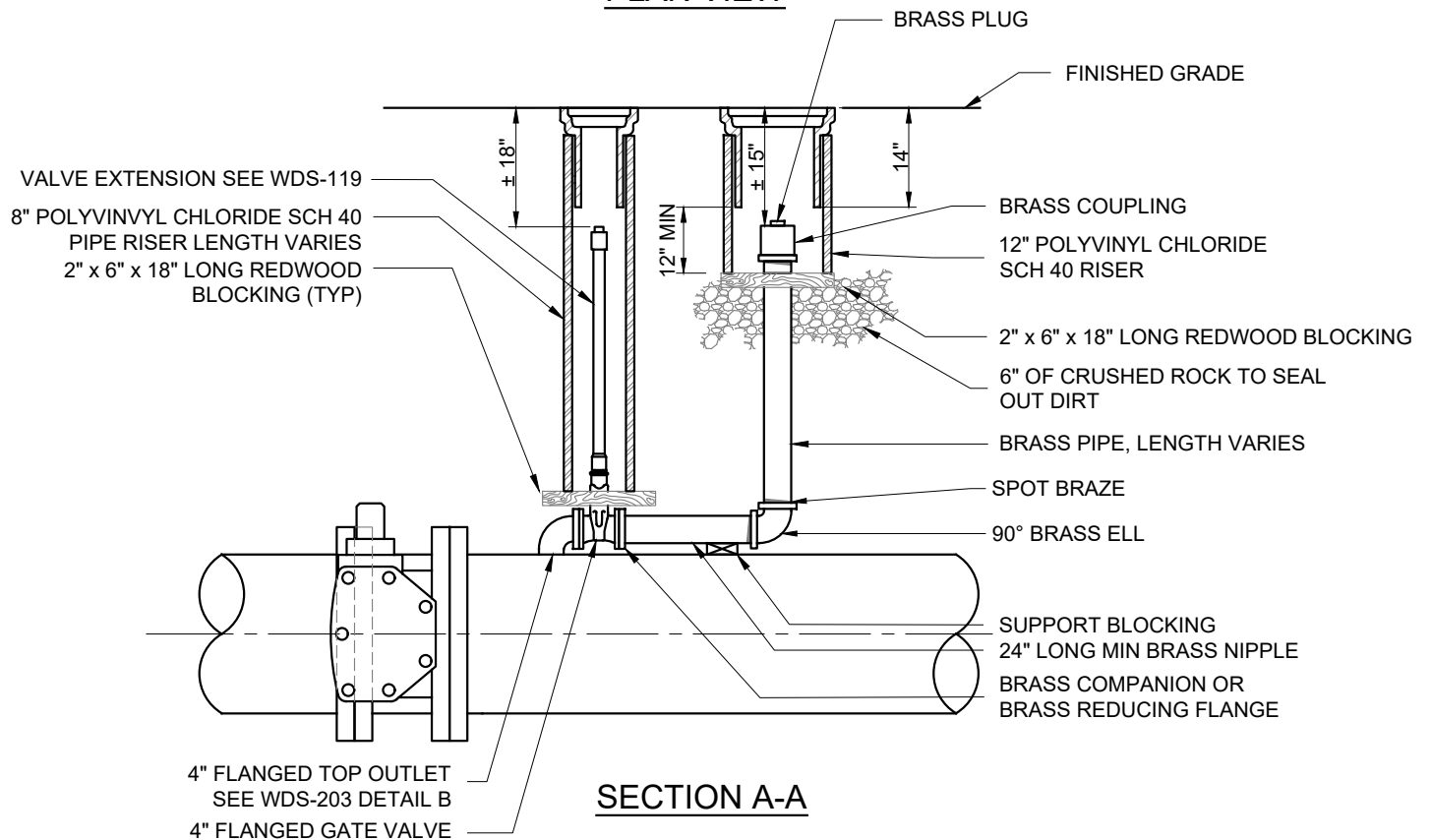


PLAN VIEW



SECTION A-A

NOTES:

1. CHLORINATION ASSEMBLIES ON MAINS 36" IN DIAMETER AND LARGER SHALL BE OF 4" BRASS PIPE AND FITTINGS.
2. CHLORINATION ASSEMBLIES ON MAIN SMALLER THAN 36" IN DIAMETER SHALL BE OF 3" BRASS PIPE AND FITTINGS.
3. COAT ALL FITTINGS, VALVES, AND BOLTED COUPLINGS WITH NO-OX-ID A SPECIAL COMPOUND AND WRAP WITH NO-OX-ID TAPE.
4. ALL BRASS SHALL BE ENCASED IN TWO LAYERS OF EIGHT (8) MIL-THICK POLYETHYLENE WRAP.

CHLORINATION ASSEMBLY - 12" AND LARGER STEEL PIPE

WDS - 211



Long Beach Water
Exceptional Water • Exceptional Service

RECOMMENDED

Robert Johnson

DIRECTOR OF ENGINEERING

APPROVED

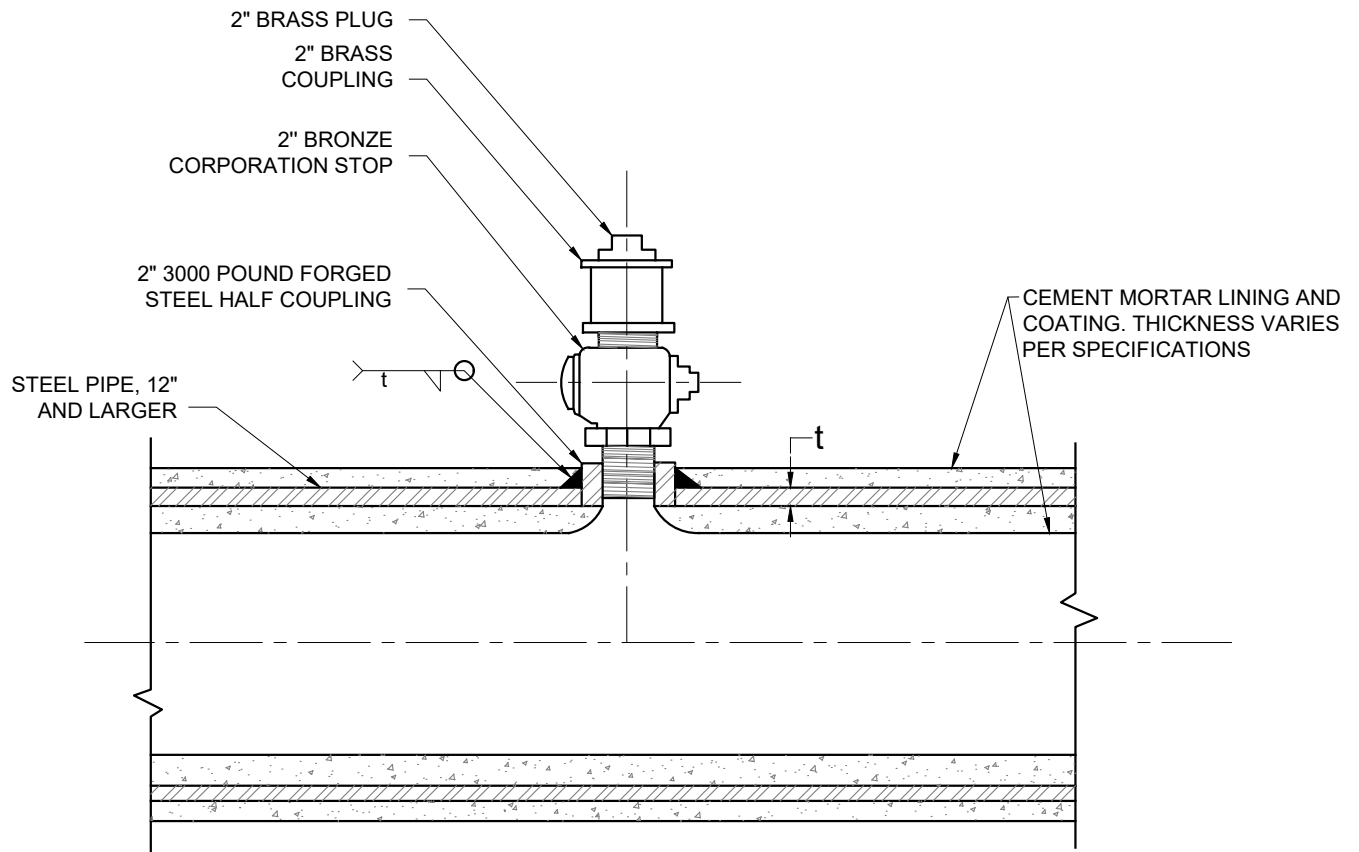
Debra Paul

DEPUTY GENERAL MANAGER / CHIEF ENGINEER

DATE: 02-2020

SCALE: N.T.S.

SHEET 1 OF 2



NOTES:

1. BRASS PLUG TO BE IN PLACE AT ALL TIMES WHEN RELIEF ASSEMBLY IS NOT IN USE AND PRIOR TO BACKFILLING TRENCH.
2. THIS DETAIL IS APPLICABLE ONLY FOR TEMPORARY CHLORINATION USE.

CHLORINATION ASSEMBLY - 12" AND LARGER STEEL PIPE

WDS - 211



Long Beach Water
 Exceptional Water • Exceptional Service

RECOMMENDED

Robert Johnson

DIRECTOR OF ENGINEERING

APPROVED

Deputy General Manager / Chief Engineer

DEPUTY GENERAL MANAGER / CHIEF ENGINEER

DATE: 02-2020

SCALE: N.T.S.

SHEET 2 OF 2