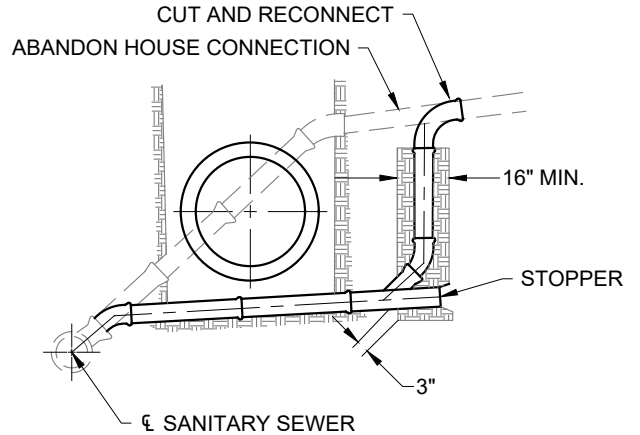
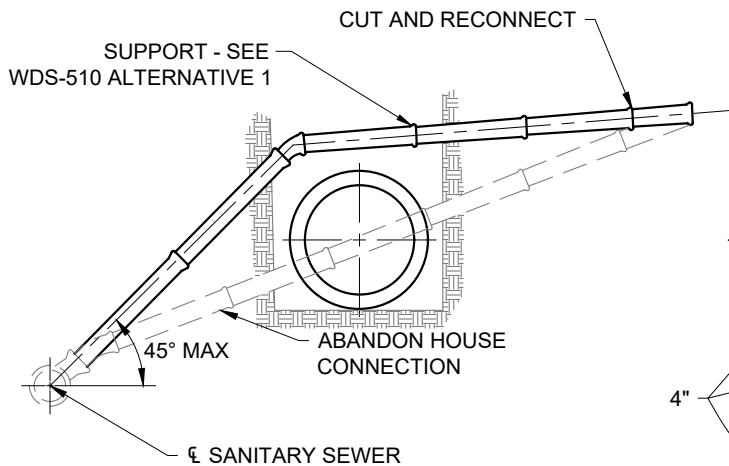


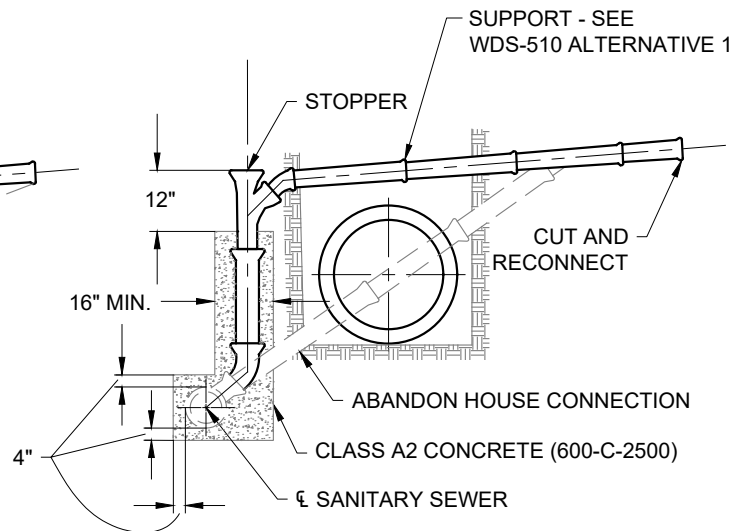
CASE NO. 1



CASE NO. 2



CASE NO. 3



CASE NO. 4

NOTES:

1. ALL HOUSE CONNECTIONS SHALL BE VITRIFIED CLAY 6 INCHES IN DIAMETER. USE OF ABS PIPE IN LIEU OF VCP SUBJECT TO LBWD APPROVAL.
2. THE MINIMUM SLOPE FOR 6 INCH HOUSE CONNECTIONS SHALL BE 1/4 INCH PER FOOT.
3. FOR CUT-IN WYE TO EXISTING SEWER SEE WDS-513.
4. CHIMNEYS SHOWN ARE PICTORIAL ONLY, AND THE ACTUAL CHIMNEY CONSTRUCTED AT AN SPECIFIC LOCATION SHALL MEET THE APPROVAL OF LBWD.

HOUSE SEWER CONNECTION

WDS - 511



Long Beach Water
Exceptional Water • Exceptional Service

RECOMMENDED

Robert Johnson

DIRECTOR OF ENGINEERING

APPROVED

Shirley Paul

DEPUTY GENERAL MANAGER / CHIEF ENGINEER

DATE: 02-2020

SCALE: N.T.S.

SHEET 1 OF 1